

## ○ Light-Weight Transceiver Pole

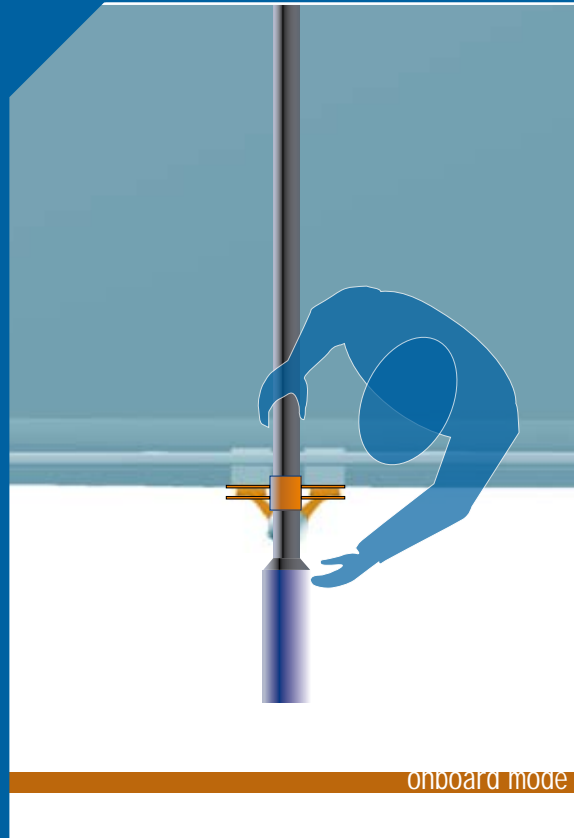
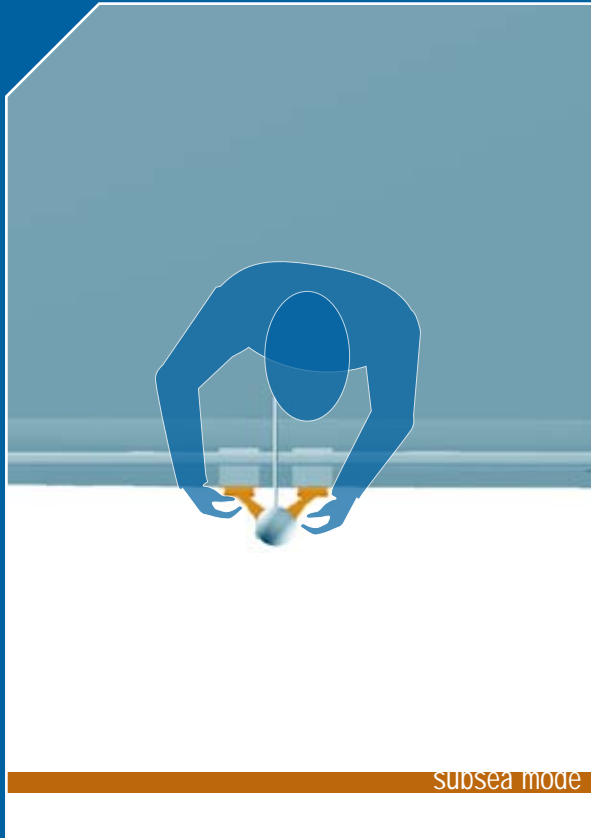
This simple design Transceiver Pole is used for communication in subsea operations. Initiating signals from transponders subsea positions it helps determination of the desired spot.

Abyssus Marine Services AS  
Strøket 8  
1383 Asker, Norway

[www.abysus.no](http://www.abysus.no)  
[post@abysus.no](mailto:post@abysus.no)  
+47 99 52 51 62



## ○ Light-Weight Transceiver Pole

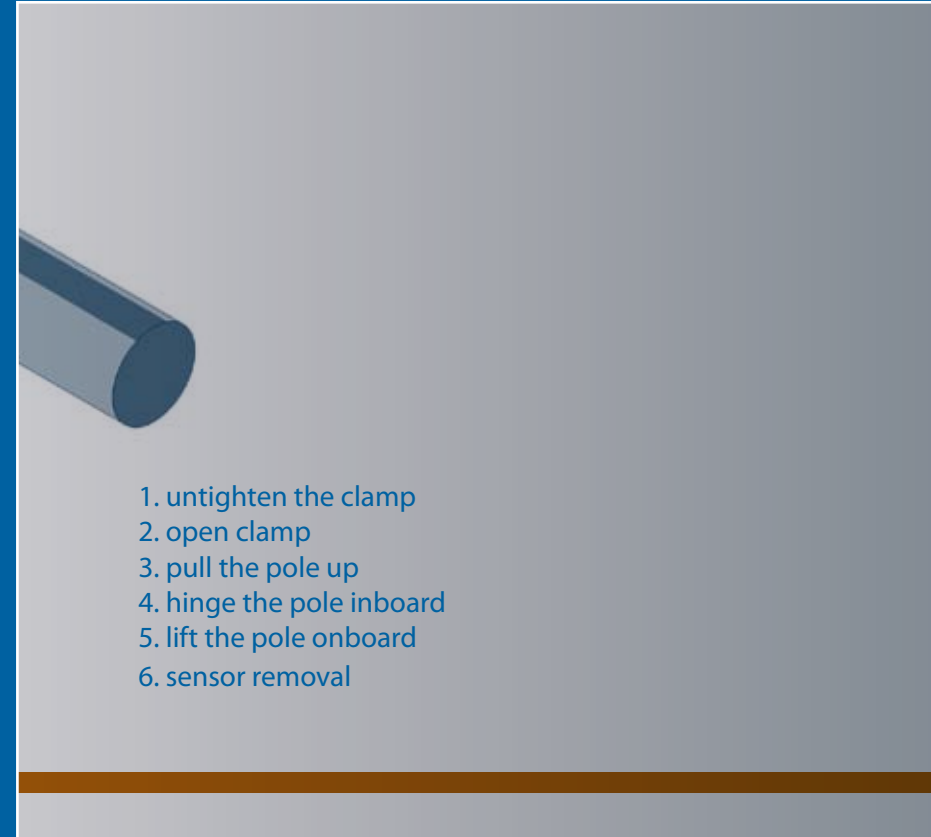
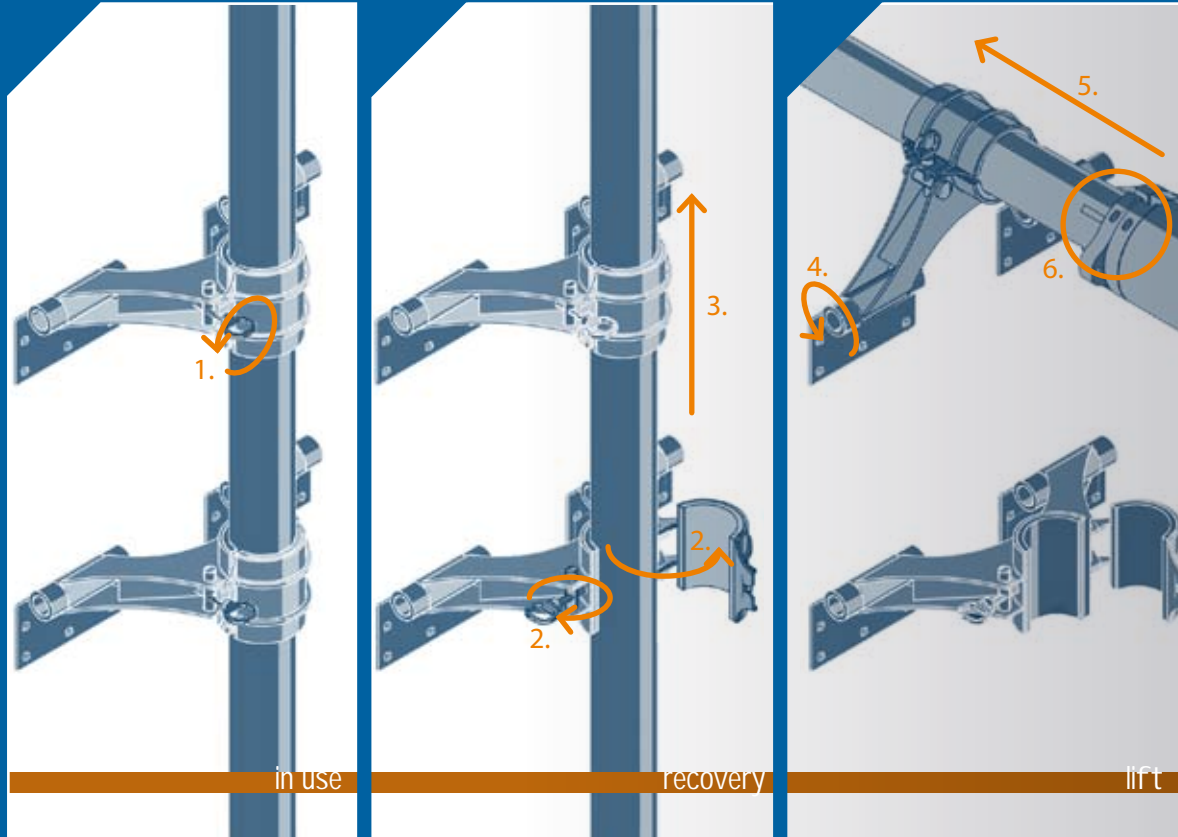


Abyssus Marine Services AS  
Strøket 8  
1383 Asker, Norway

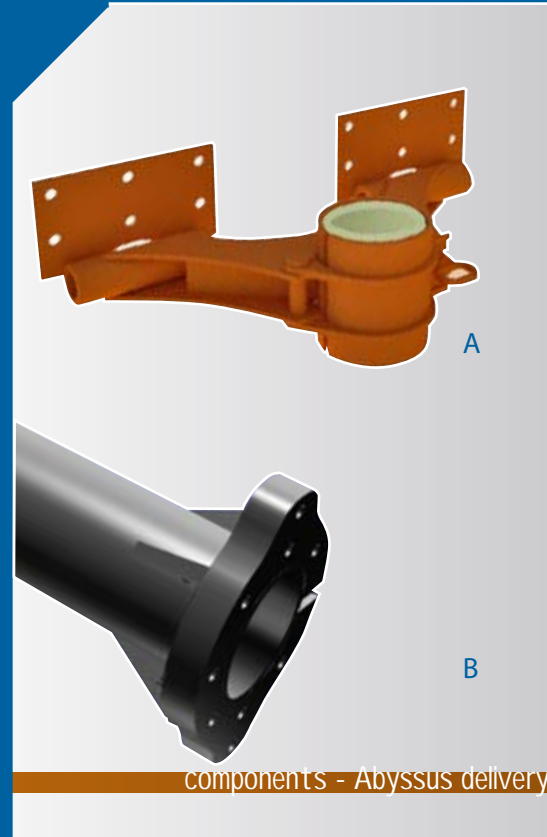
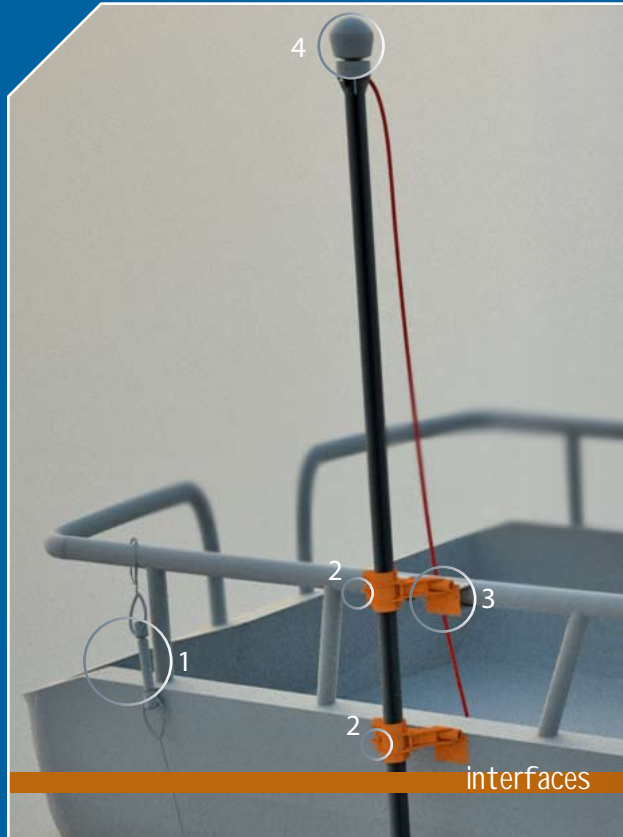
www.abysus.no  
post@abysus.no  
+47 99 52 51 62

  
**abysus**  
MARINE SERVICES

# Light-Weight Transceiver Pole



# Light-Weight Transceiver Pole



1. turnbuckles > rope minimizes vibration
2. untighten bolt > opens the pole clamp
3. fixation plate > mounts the clamp to the fence
4. GPS antenna

- A. pole clamp > Abyssus delivers uniquely engineered component that allows easy pole handling
- B. carbon fibre pole > possibly split length, easy to store and assemble